

High-Reliability Power Inductors MS432PJB



- High temperature materials allow operation in ambient temperatures up to 155°C.
- Special construction allows it to pass vibration testing to 80 G and shock testing to 1000 G.
- Tin-lead (Sn-Pb) termination for the best possible board adhesion

Core material Ferrite

Terminations Tin-lead (63/37) over tin over nickel.

Weight 102 – 107 mg

Ambient temperature –55°C to +105°C with Irms current

Maximum part temperature +155°C (ambient + temp rise)

Storage temperature Component: –55°C to +155°C.

Packaging: –55°C to +80°C

Resistance to soldering heat Max three 40 second reflows at +260°C, parts cooled to room temperature between cycles

Moisture Sensitivity Level (MSL) 1 (unlimited floor life at <30°C / 85% relative humidity)

Enhanced crush-resistant packaging 1000/7" reel

Plastic tape: 12 mm wide, 0.3 mm thick, 8 mm pocket spacing, 1.57 mm pocket depth

Recommended pick and place nozzle OD: 5 mm; ID: ≤ 2.5 mm

Part number ¹	Inductance ² ±20% (µH)	DCR max ³ (Ohms)	SRF (MHz) ⁴		Isat (A) ⁵			Irms (A) ⁶	
			min	typ	10% drop	20% drop	30% drop	20°C rise	40°C rise
MS432PJB102MSZ	1.0	0.050	128	183	3.6	3.8	3.9	1.5	2.1
MS432PJB132MSZ	1.3	0.065	105	150	2.5	2.6	2.8	1.4	1.9
MS432PJB182MSZ	1.8	0.075	89	128	2.6	2.8	2.9	1.2	1.7
MS432PJB222MSZ	2.2	0.090	81	116	2.4	2.6	2.7	1.1	1.6
MS432PJB332MSZ	3.3	0.125	61	88	1.9	2.0	2.0	1.0	1.4
MS432PJB472MSZ	4.7	0.150	51	73	1.6	1.7	1.8	1.0	1.3
MS432PJB562MSZ	5.6	0.175	46	67	1.6	1.6	1.6	0.88	1.2
MS432PJB682MSZ	6.8	0.225	40	57	1.3	1.4	1.5	0.72	1.0
MS432PJB822MSZ	8.2	0.280	34	49	1.3	1.3	1.4	0.68	0.84
MS432PJB103MSZ	10	0.300	31	44	1.2	1.3	1.3	0.64	0.76
MS432PJB123MSZ	12	0.350	28	40	1.0	1.1	1.2	0.60	0.67
MS432PJB153MSZ	15	0.360	27	38	0.80	0.84	0.86	0.58	0.67
MS432PJB183MSZ	18	0.550	24	35	0.75	0.77	0.80	0.56	0.66
MS432PJB223MSZ	22	0.675	22	31	0.70	0.73	0.75	0.48	0.66
MS432PJB333MSZ	33	0.750	17.0	24	0.55	0.59	0.60	0.40	0.56
MS432PJB473MSZ	47	1.00	12.6	18	0.46	0.48	0.49	0.36	0.46
MS432PJB563MSZ	56	1.13	12.0	17	0.40	0.43	0.45	0.32	0.42
MS432PJB683MSZ	68	1.45	10.5	15	0.33	0.38	0.39	0.28	0.38
MS432PJB104MSZ	100	1.95	8.4	12	0.30	0.33	0.34	0.24	0.34
MS432PJB124MSZ	120	2.50	7.0	10	0.25	0.28	0.30	0.22	0.30
MS432PJB154MSZ	150	3.40	6.5	9.3	0.23	0.25	0.26	0.20	0.26
MS432PJB224MSZ	220	4.50	5.1	7.3	0.20	0.21	0.22	0.18	0.23
MS432PJB334MSZ	330	7.40	4.0	5.7	0.15	0.17	0.18	0.14	0.18
MS432PJB474MSZ	470	7.50	3.4	4.9	0.12	0.12	0.13	0.13	0.17
MS432PJB564MSZ	560	8.50	3.0	4.3	0.10	0.11	0.12	0.11	0.15
MS432PJB684MSZ	680	10.6	2.8	4.0	0.10	0.11	0.11	0.10	0.14
MS432PJB105MSZ	1000	15.0	2.2	3.2	0.080	0.090	0.093	0.080	0.12
MS432PJB155MSZ	1500	25.0	1.7	2.5	0.080	0.086	0.088	0.070	0.11
MS432PJB185MSZ	1800	28.0	1.5	2.2	0.078	0.083	0.086	0.070	0.10
MS432PJB225MSZ	2200	36.0	1.5	2.1	0.072	0.078	0.080	0.050	0.070
MS432PJB335MSZ	3300	55.0	1.2	1.7	0.064	0.072	0.076	0.045	0.060
MS432PJB475MSZ	4700	80.0	1.0	1.4	0.062	0.069	0.072	0.035	0.050

1. When ordering, please specify **testing** code:

MS432PJB475MSZ

Testing: Z = Unscreened

H = Group A screening per Coilcraft CP-SA-10001

T = Screening per MIL-STD-981

U = Screening per EEE-INST-002

F = Screening per ESCC 3201

All screening performed to the document's latest revision

Custom screening also available

2. Inductance tested at 100 kHz, 0.1 Vrms using an Agilent/HP 4192A.
3. DCR measured on a micro-ohmmeter.
4. SRF measured using an Agilent/HP 8753ES or equivalent.
5. DC current at 25°C that causes the specified inductance drop from its value without current.
6. Current that causes the specified temperature rise from 25°C ambient. This information is for reference only and does not represent absolute maximum ratings.
7. Electrical specifications at 25°C. Refer to Doc 362 "Soldering Surface Mount Components" before soldering.

Coilcraft CPS

CRITICAL PRODUCTS & SERVICES

© Coilcraft, Inc. 2017

1102 Silver Lake Road
Cary, IL 60013
Phone 800-981-0363

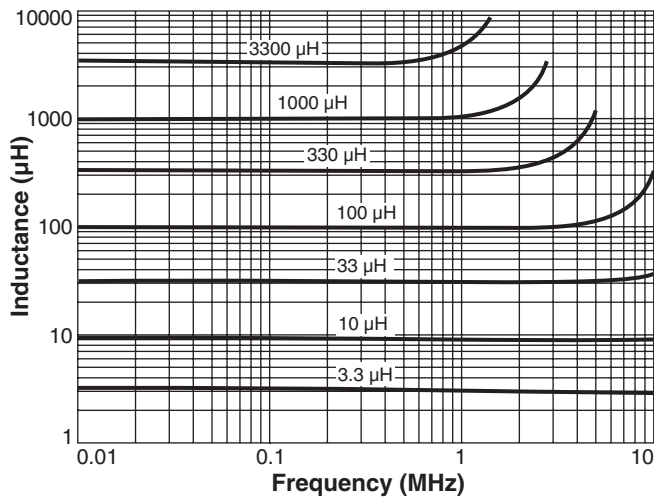
Fax 847-639-1508
Email cps@coilcraft.com
www.coilcraft-cps.com

Document MS585-1 Revised 05/23/17

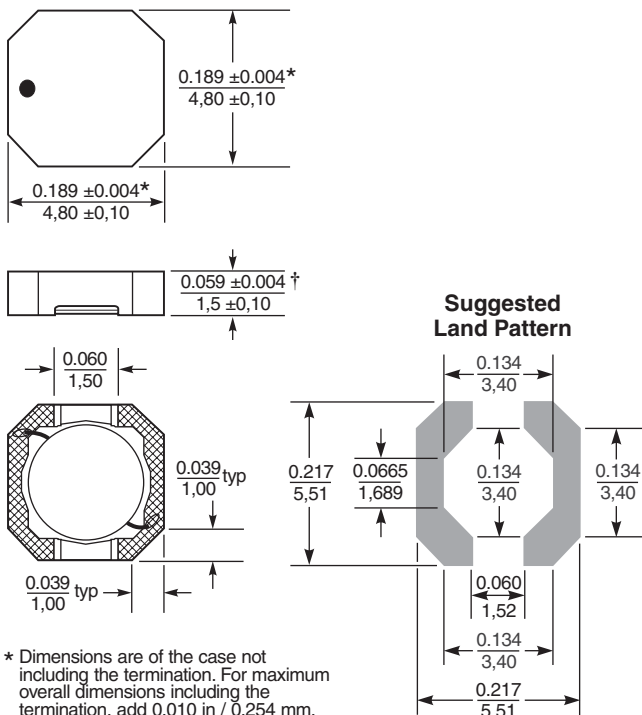
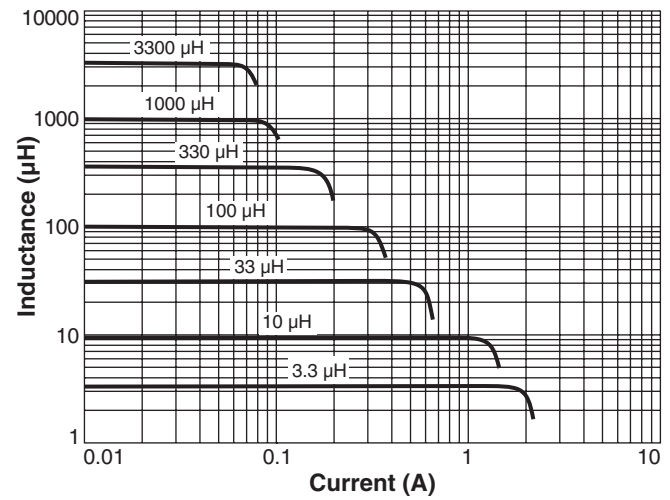
This product may not be used in medical or high risk applications without prior Coilcraft approval. Specifications subject to change without notice. Please check our web site for latest information.

MS432PJB Series (5015)

Typical L vs Frequency



Typical L vs Current



* Dimensions are of the case not including the termination. For maximum overall dimensions including the termination, add 0.010 in / 0,254 mm.

† Height dimension is after mounting. For maximum height dimension before mounting, add 0.006 in / 0,152 mm.

Dimensions are in $\frac{\text{inches}}{\text{mm}}$



1102 Silver Lake Road
Cary, IL 60013
Phone 800-981-0363

Fax 847-639-1508
Email cps@coilcraft.com
www.coilcraft-cps.com

Document MS585-2 Revised 05/23/17

This product may not be used in medical or high risk applications without prior Coilcraft approval. Specifications subject to change without notice. Please check our web site for latest information.