

# Isolation Transformers



- Power rating: 2 Watts
- Designed to meet UL/CSA/IEC 60950 Basic Insulation with 1.5 mm creepage and clearance.

**Core material** Ferrite

**Terminations** Tin-silver over tin over nickel over phos bronze

**Isolation** 2500 Vrms primary to secondary; 500 Vrms winding to core

**Weight** 0.95 – 0.98 g

**Ambient temperature** –40°C to +125°C

**Storage temperature** Component: –55°C to +125°C.

Tape and reel packaging: –40°C to +80°C

**Resistance to soldering heat** Max three 40 second reflows at +260°C, parts cooled to room temperature between cycles

**Moisture Sensitivity Level (MSL)** 1 (unlimited floor life at <30°C / 85% relative humidity)

**Failures in Time (FIT) / Mean Time Between Failures (MTBF)**

38 per billion hours / 26,315,789 hours, calculated per Telcordia SR-332

**Packaging** 600/13" reel; Plastic tape: 24 mm wide, 0.37 mm thick, 16 mm pocket spacing, 6.1 mm pocket depth

**PCB washing** Tested with pure water or alcohol only. For other solvents, see Doc787\_PCB\_Washing.pdf

Part number <sup>1</sup>	Inductance <sup>2</sup> min (μH)	Turns ratio	Pri / output voltages			DCR max (Ohms) <sup>3</sup>		Leakage inductance <sup>4</sup> max (μH)	Volt-time product <sup>5</sup> (V-μsec)	
			pri	output (pin 8)	output (pins 6 & 7)	output (pin 5)	pri			sec
CP-P0588-A_	63.75	1 : 2	5 V	+3.3 to +5 V	0 V	No output	0.095	0.190	0.460	17.6
CP-P0589-A_	63.75	1 : 3	5 V	+12 to +15 V	+6 to +7.5 V	0 V	0.122	0.260	0.660	17.6
CP-P0590-A_	63.75	1 : 5	5 V	+12 to +15 V	0 V	–12 to –15 V	0.095	1.17	0.515	17.6

1. When ordering, please specify a **packaging** code:

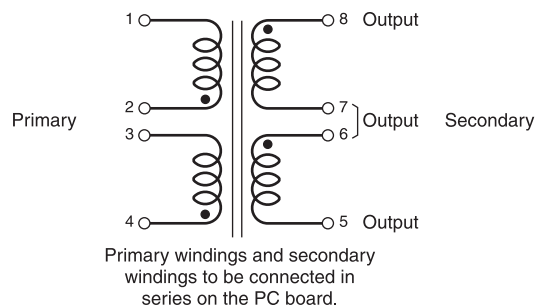
**CP-P0590-AD**

**Packaging:** D = 13" machine ready reel. EIA-481 embossed plastic tape (600 per full reel).

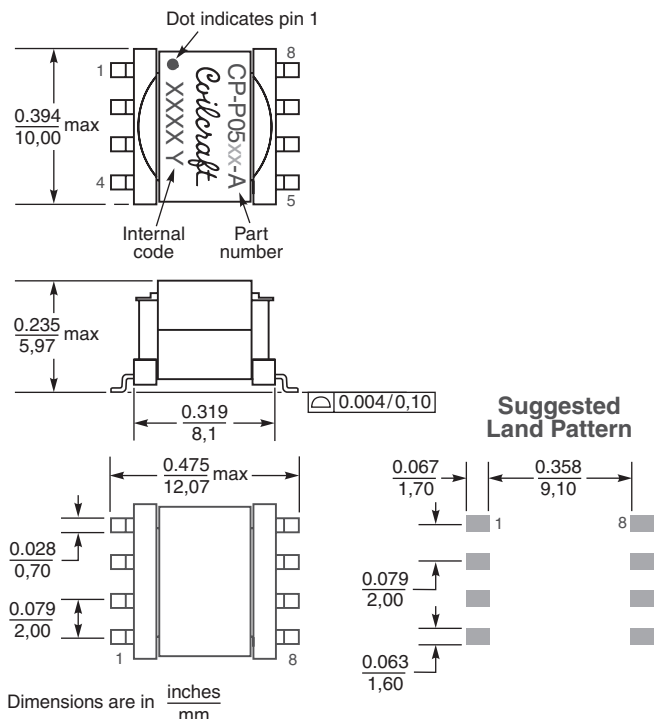
**B** = Less than full reel. In tape, but not machine ready. To have a leader and trailer added (\$25 charge), use code letter D instead.

- Inductance is for the primary, measured from pins 4–3 at 1 kHz, 0.1 Vrms.
- DCR is for each winding of the primary and secondary.
- Leakage inductance is for the primary windings, measured from pins 1–4 with all secondary windings shorted.
- Based on Bs<sub>at</sub> of the core at 25°C and the number of turns on winding 4–3.
- Electrical specifications at 25°C.

Refer to Doc 362 "Soldering Surface Mount Components" before soldering.



Analog Devices is a trademark of Analog Devices, Inc.



**Coilcraft CPS**  
CRITICAL PRODUCTS & SERVICES

1102 Silver Lake Road  
Cary, IL 60013  
Phone 800-981-0363

Fax 847-639-1508  
Email cps@coilcraft.com  
www.coilcraft-cps.com

Document CP888 Revised 03/07/13

This product may not be used in medical or high risk applications without prior Coilcraft approval. Specifications subject to change without notice. Please check our web site for latest information.